

# Reimagine the outdoors...

...with the BROMIC Eclipse Smart-Heat™ Electric series. Available in seven unique designs, the Bromic Eclipse series adds style, warmth and light to design-focused outdoor spaces.



# ECLIPSE SMART-HEAT™ ELECTRIC



Reimagine the outdoors with our Eclipse Smart-Heat™ Electric heater. Available in six unique mounting options, the new Bromic Eclipse Smart-Heat™ series adds style, warmth and light to design-focused outdoor spaces.



### FLEXIBLE MOUNTING OPTIONS

Minimal vertical clearance requirements and a wide range of wall, ceiling, and free-standing options to suit any space.



COMPATIBLE WITH  
SMART-WIRELESS  
TECHNOLOGY

### PREMIUM CONSTRUCTION

Premium, corrosion-resistant, double-coated steel to ensure longevity of use and aesthetic appeal for years to come.

### CERAMIC SCREEN

Spreads heat evenly across any area while minimizing light emission from the heating element.

### DIMMABLE LIGHT

Complete flexibility over level of brightness for the right amount of ambience.

### PRECISE CONTROL

Accurately adjust the heat output (0/33/66/100%) for complete control over the level of comfort.

### UNIQUE DESIGN

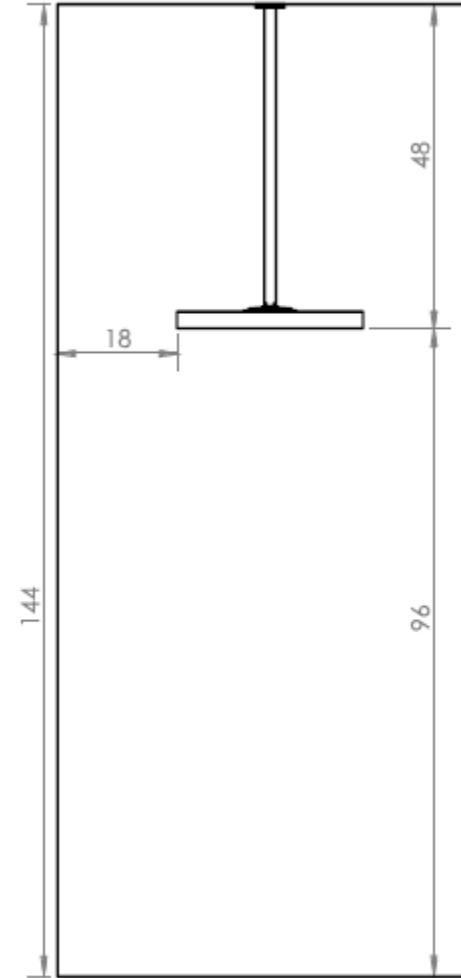
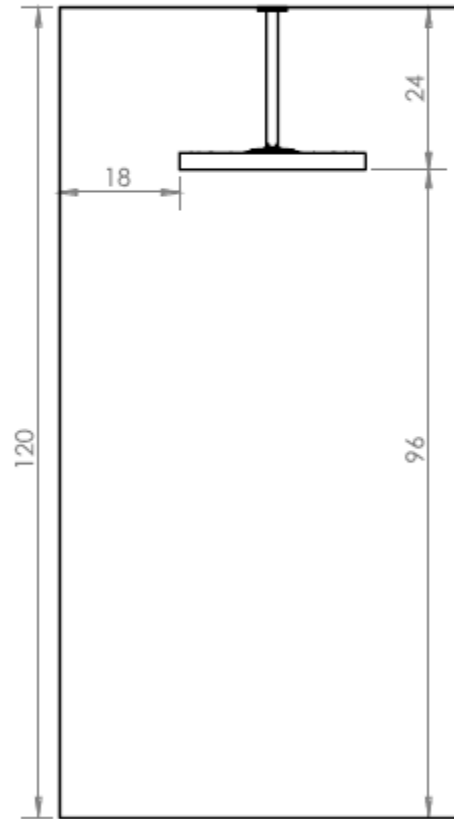
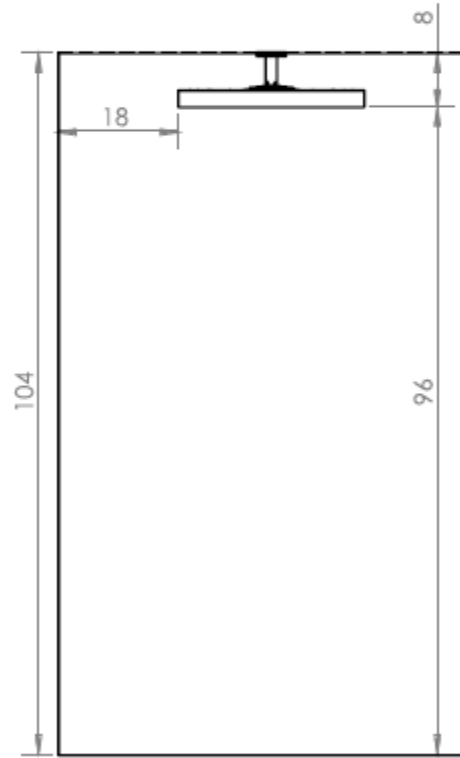
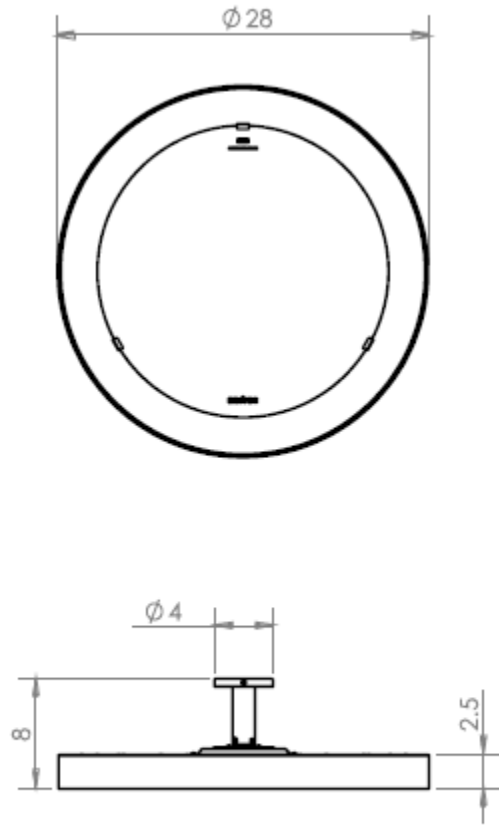
Elegantly understated design that complements any design-focused outdoor environment.

## SUBTLE AESTHETICS

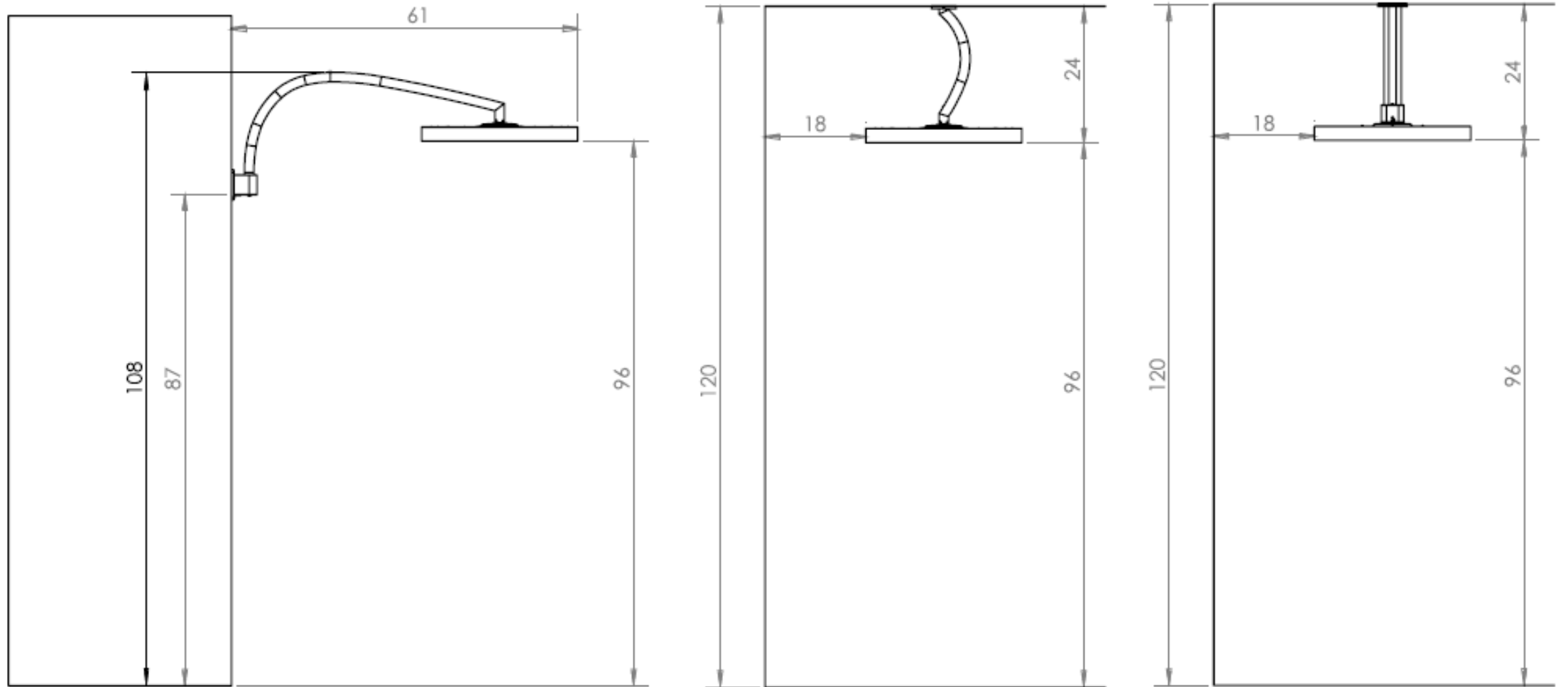
---

Add warmth and comfort to outdoor spaces while striking the perfect balance between ambience, style, and functionality.

# CLEARANCES



# CLEARANCES





ECLIPSE  
SMART-HEAT™ PORTABLE

---

Reimagine the outdoors with our Eclipse Smart-Heat™ Electric Portable heater. Featuring a striking, elegant design, this powerful heater will bring both warmth and light to design-focused outdoor spaces.



**PREMIUM  
CONSTRUCTION**

Premium, corrosion-resistant, double-coated steel to ensure longevity of use and aesthetic appeal for years to come.

**PRECISE CONTROL**

Accurately adjust the heat output (0/33/66/100%) for complete control over the level of comfort.

**CERAMIC SCREEN**

Spreads heat evenly across any area while minimizing light emission from the heating element.

**DIMMABLE LIGHT**

Complete flexibility over level of brightness for the right amount of ambience.

**UNIQUE DESIGN**

Elegantly understated design that complements any design-focused outdoor environment.

**FLEXIBILITY OF USE**

Stable base unit with wheels for easy manoeuvrability and flexibility over location.



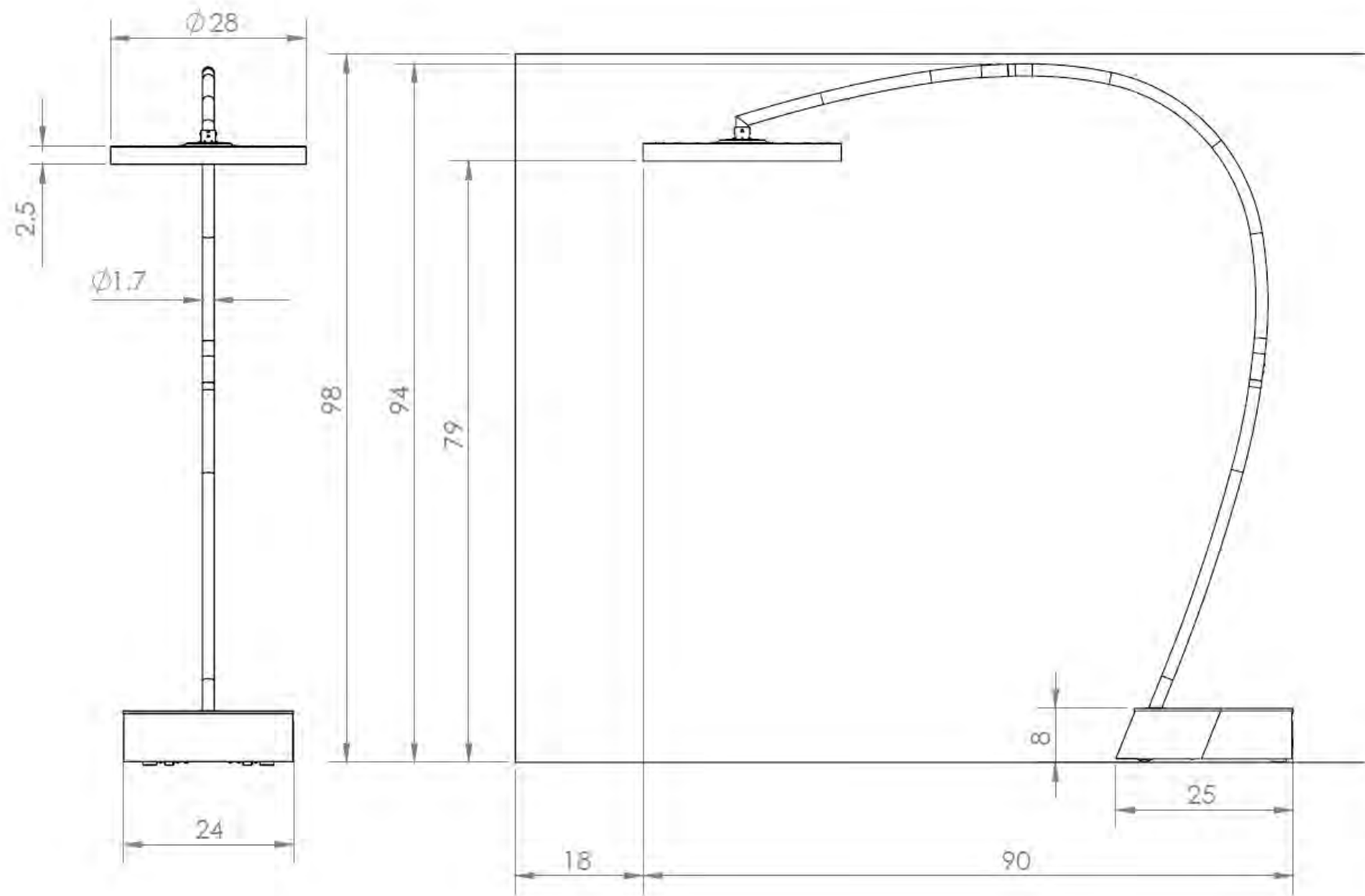
COMPATIBLE WITH  
SMART-WIRELESS  
TECHNOLOGY

## SUBTLE AESTHETICS



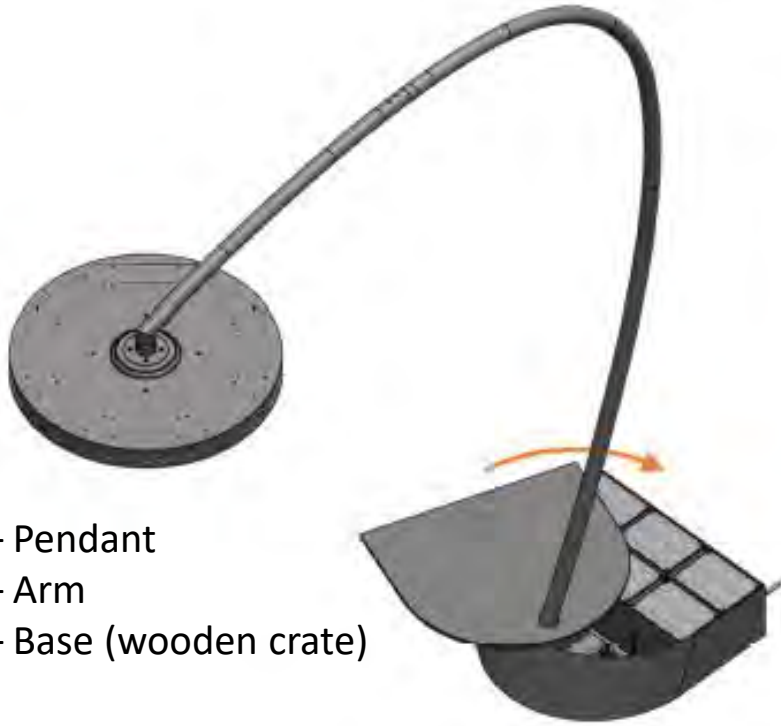
Add warmth and comfort to outdoor spaces while striking the perfect balance between ambience, style, and functionality.

# CLEARANCES





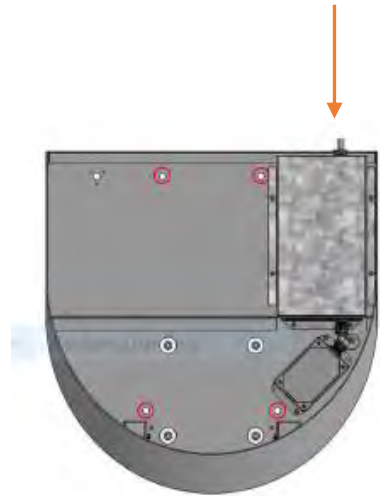
# ECLIPSE PORTABLE ASSEMBLY & ELECTRICAL



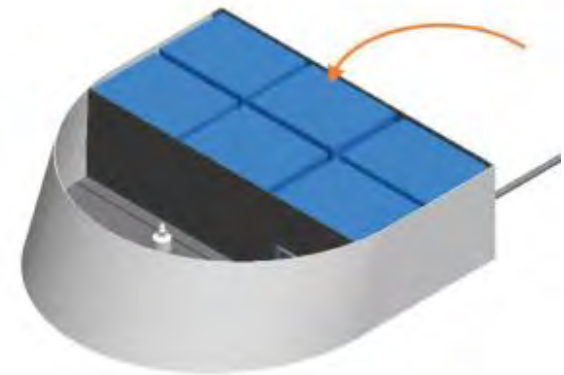
Box 1 – Pendant

Box 2 – Arm

Box 3 – Base (wooden crate)



Dimmer resides in base



Base includes 10 x 22 lb weights



# FLEXIBLE CONTROLS



Heater 100% - Heater output full

Heater 66% - Heater output at 66% of total

Heater 33% - Heater output at 33% of total

Heater OFF - Heater switched off

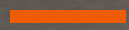
Lights 100% (DIM ▲) - Light output at full (100%) or hold to dim up

Lights 50% - Light output at 50% of total

Lights OFF (DIM ▼) - Light off or hold to dim down

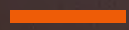


ECLIPSE  
Smart-Heat™ Electric  
(8" pole)





ECLIPSE  
**Smart-Heat™ Electric**  
(24" twin pole)





ECLIPSE  
**Smart-Heat™ Electric**  
(24" straight pole)



ECLIPSE  
**Smart-Heat™ Electric**  
(24" curved pole)



ECLIPSE  
**Smart-Heat™ Electric**  
(48" pole)



ECLIPSE  
**Smart-Heat™ Electric**  
(Wall Mount)







ECLIPSE  
Smart-Heat™ Portable

