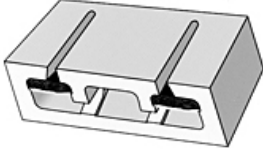
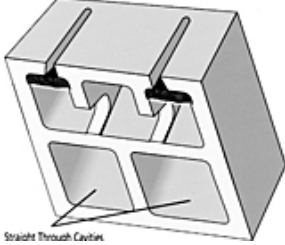
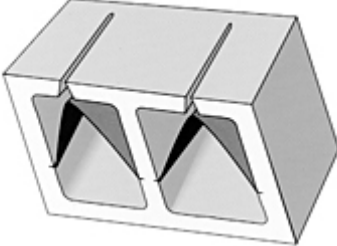
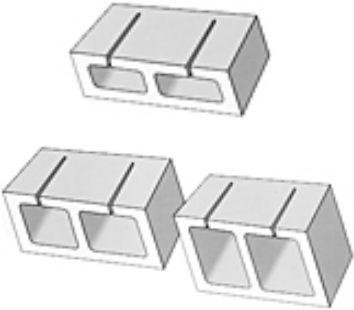

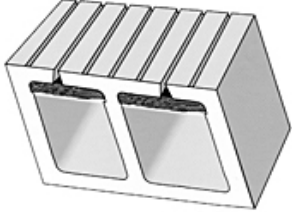


UNDERSTANDING PROUDFOOT SOUNDBLOX AND SOUNDCELL

Like many masonry products, Proudfoot has its own unique nomenclature that describes each type of acoustical masonry unit. The units themselves are manufactured by block manufacturers, such as Featherlite, using forms that Proudfoot delivers to the plant for each production run. In order to place product orders correctly, it is important that the masonry contractor understand the product number for each product listed in the specification, and the particular unit that it represents. If he notices a discrepancy between what is specified and what he thinks is required for the project, he should immediately send an RFI to get clarification, so that the correct units can be manufactured and delivered on time.

This document is intended to show many of the common Soundblox and Soundcell units and their correct designations to assist masonry contractors in ordering the correct units for their jobs. The table below includes a picture of each unit and a hyperlink to that unit on the Proudfoot website to help you visualize each product before ordering. Be sure to include all of the inserts and accessories for the units you order, as listed in the Specification.

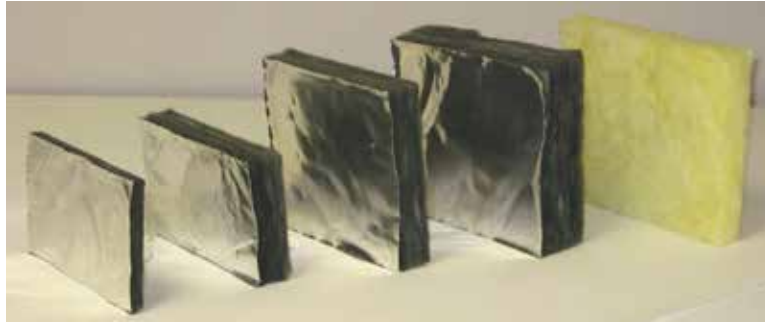
SOUNDBLOX UNITS

<p><u>Type RSC</u> 4" SHOWN</p> 	<p><u>Type RSC/RF</u></p>  <p><small>Straight Through Cavity</small></p>	<p><u>Type Q</u></p> 
<p><u>Type A-1</u> 4", 6", and 8"</p> 	<p><u>Type A-1-RF</u></p> 	<p><u>Type RSR</u> (8" ONLY)</p> 

Type RSC/DBL



Fiberglass Insert (4, 6, 8, 12")



Poly-bagged



EnviroFill

Natural Cotton Fiber Filler



Metal Septum

For Type Q only



Grout Shield

0.220" Nominal Thickness

