

REAL SLATE

The Premiere Cladding Material

100% Real Slate Cladding is a beautiful, durable, sustainable material.



Made in America!

Ideal for all building types at a surprisingly affordable cost.

ZERO Maintenance!

High Return on Investment.



RESIDENTIAL

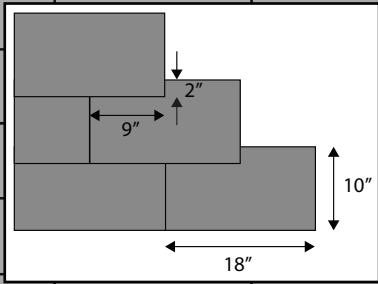


COMMERCIAL

VERMONT SLATE CO.

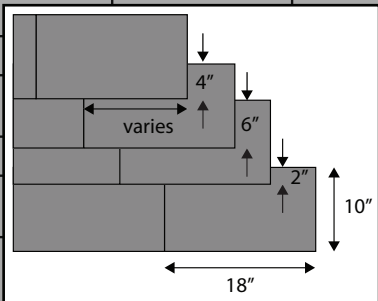
Patterns

Running Bond



- Traditional Masonry and Stone Pattern
- 5 lbs/ Square Foot

Multi Format



- Easily Customizable
- Random Appearance
- 6.2 lbs/ Square Foot

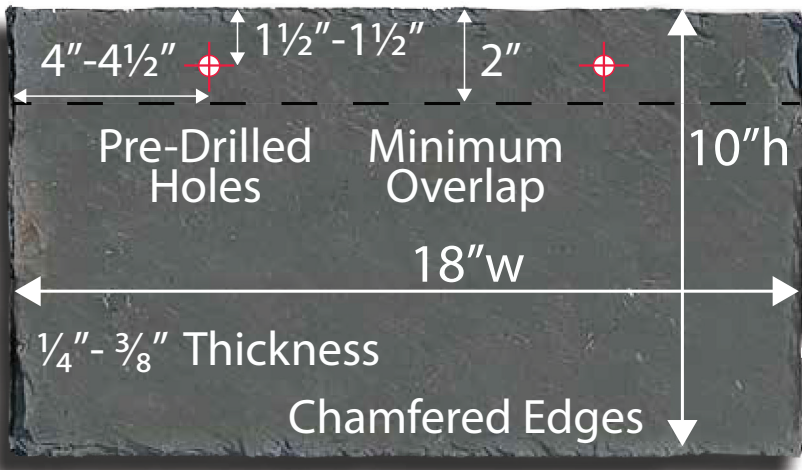
Color Facts

Our real slate cladding is classified as **Unfading**. It maintains consistent color and performance for decades.

Exposure to the elements can fade, or draw out a chalky calcium from slate. "Fading" slate loses color and weakens over time. Our **Unfading** slate is low in calcium and maintains color and strength.

We offer slate selected from the least weathering colors available in the entire world.

Weathering is a slow, natural change in stone as minerals oxidize. It does not weaken the stone, but colors tend to ease toward earth tones over time. Slate can last for centuries, so some weathering is to be anticipated. Our cladding options are either classified as **Slightly- or Non-Weathering**.



Installation Systems

Direct Apply

- Slate • Screws •
- HDPE Water Proofing •

- The most common residential method
- Fastest, easiest, most cost effective

Battens

- Slate • Screws •
- Battens •

- For use on masonry, concrete, and non-structural sheathing materials
- Custom designed systems allow installation on any structure


Full Rainscreen

- Slate • Screws •
- Battens • Brackets • Verticals •

- Designed for continuous exterior insulation
- Creates an air gap for thermal venting
- The ultimate system for adding energy efficiency



Vermont Gray/Green



This subtle green slate is marked with the presence of gray. Officially named "Vermont Unfading Gray/Green," it weathers very little and keeps color consistency for decades. It is a beautiful color for an entire facade or when used as an accent in a blend.



**100 Year
Slate Warranty**

Vermont Slate Company's cladding material is an elegant compliment to a wide range of building materials like brick, wood, stone, metal, and stucco. Whether used as an accent or the primary cladding, slate takes every facade to the next level of style, integrity, sustainability, and durability.

Rocky Gray Blend



Rocky Gray Blend is unique in color and texture. Its smooth to heavy texture exhibits a natural blend of tones from gray to black. Some light may bring out a slight green hue. Add contrast and character to your facade with this subtle yet distinctive blend.



100% natural, real slate brings the perfect mix of beauty and durability to contemporary architecture. Real slate cladding is both timeless and forward looking. Whether your design intent is historic flair, cutting edge design, or both at the same time... you can express it with slate!



Sea Island Green

Sea Island Green presents a consistent range of "sea foam" green with some natural variation from light to dark. Like most natural slate, Sea Island Green can appear to change color with the quality of light. It is unfading and weathers very little over time.



Zero Maintenance



The Direct Apply installation method makes slate cladding an affordable reality for any home. It provides the benefits of real slate beauty, durability, and ease of maintenance. Residential slate siding is now within your reach!

Custom Color Catalog

Charcoal Black

- Medium to heavy texture stone
- Medium to dark gray color with darker linear markings
- Lighter colors may begin to bronze slightly over time

Mottled Purple

- Purples and greens form unique patterns in each slate
- Medium-textured slate
- Non-Fading & weathers very little
- One of the most unique colors on earth

Unfading Gray

- Medium-textured gray with black markings
- May have slight green hue when wet
- Great for formal designs requiring more uniformity in overall color
- Some slight buff & brown weathering may occur

Grassy Green

- Vibrant, jade green splashed with shades of lights & darks throughout
- Very unique and highly desired across the US and Europe
- Medium texture stone
- Weathers very little over time

New York Red

- Bright red slate
- Dense & very hard
- Quarried in Washington County, NY
- A powerful addition to any palette
- Rare and highly desirable selection for the most expressive projects
- Non-Weathering & Non-Fading

VERMONT SLATE CO.

Sales & Accounting Office

2600 Louisville Road
Savannah, GA 31415
912.721.6500

info@vermontslateco.com

Vermont • Baltimore • Houston • Los Angeles