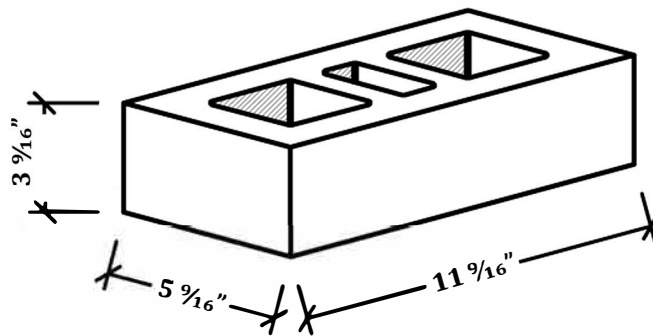
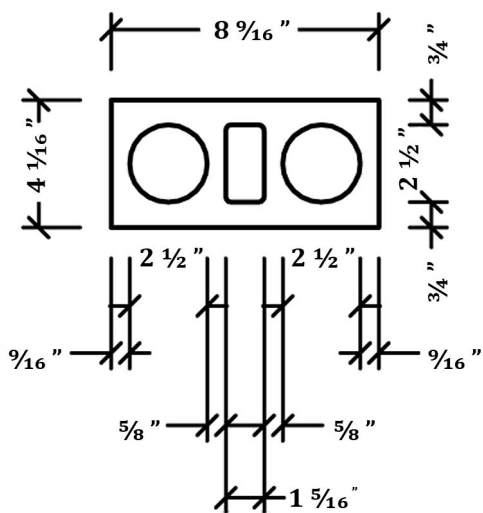


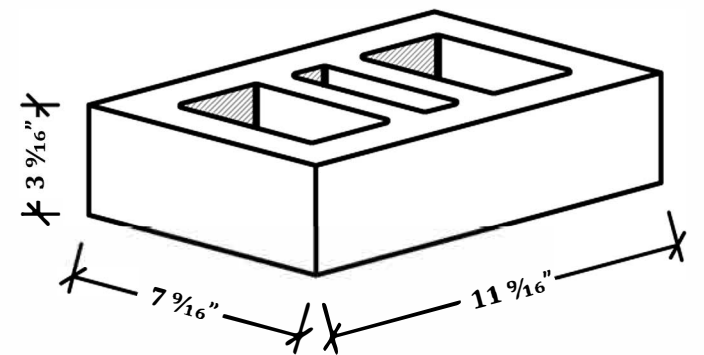
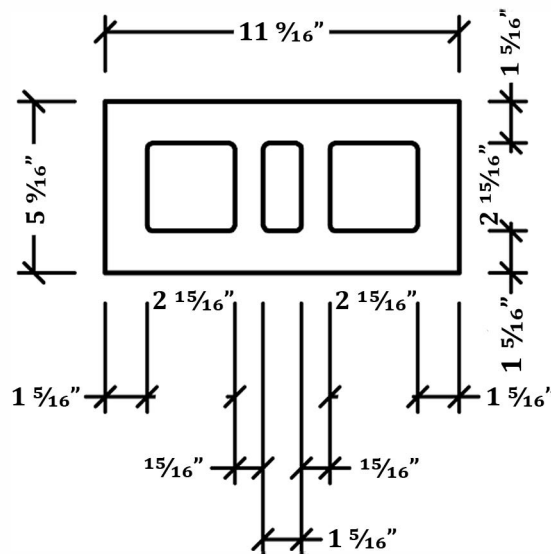
PUEBLO PLANT  
SUPER QUEEN UNIWALL

TOP VIEW



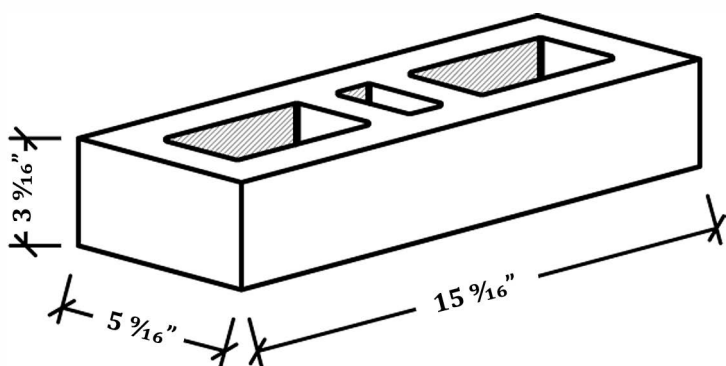
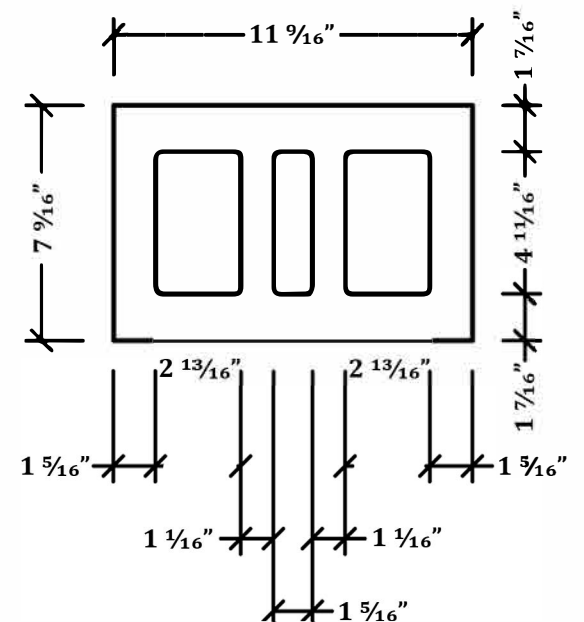
PUEBLO PLANT  
SIX INCH UNIWALL

TOP VIEW



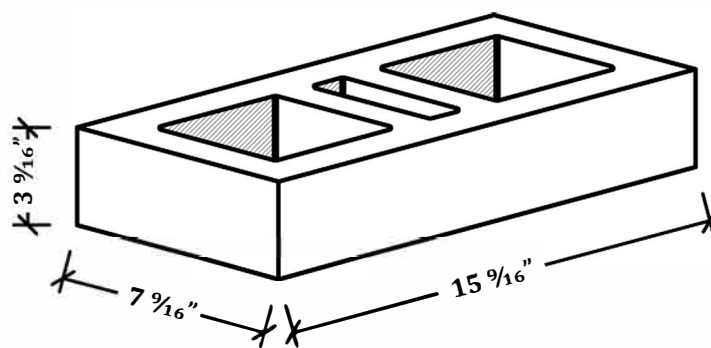
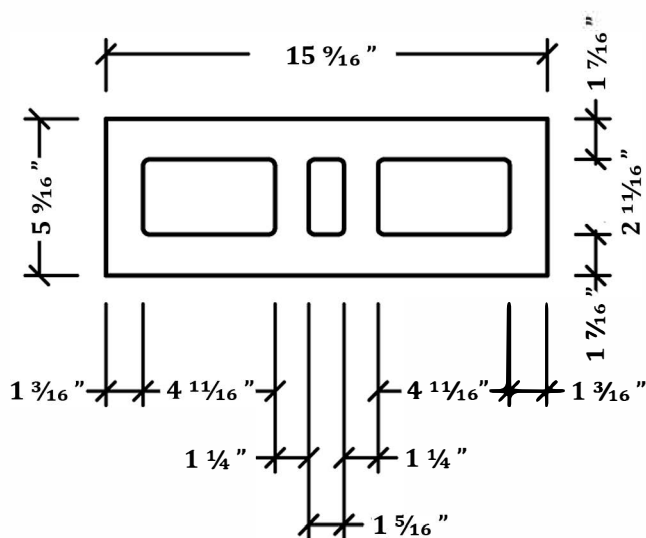
PUEBLO PLANT  
EIGHT INCH UNIWALL

TOP VIEW



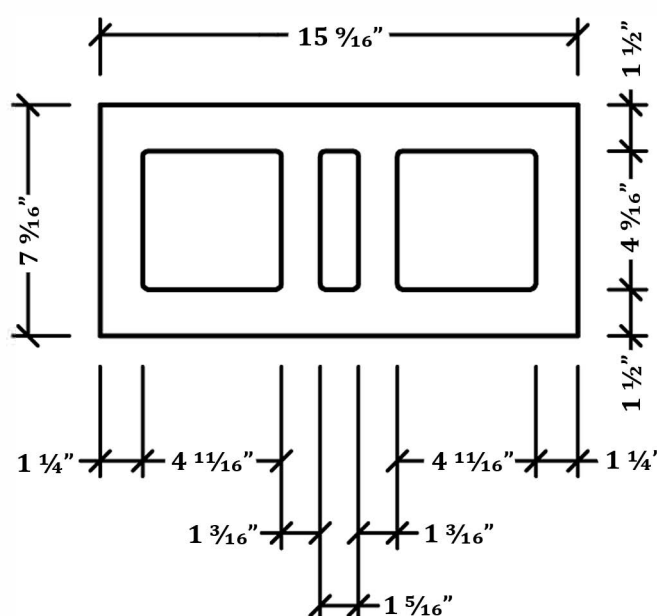
PUEBLO PLANT  
SUPER SIX INCH UNIWALL

TOP VIEW



PUEBLO PLANT  
SUPER EIGHT INCH UNIWALL

TOP VIEW



- Dimensions are specified by width (thru the wall), height and length
- Order brick by brick number, brick name and brick size
- Uniwall indicates coring designed for vertical reinforcing. Uniwall units are only available at the Summit Plant.
- Due to variations in the manufacturing process and coring, there can be no guarantee that everything shown here is exact
- Core sizes shown here are the maximum size that will be found in a production run for engineering design purposes
- The core sizes may vary within a run but will not be larger than the sizes shown here
- Please don't hesitate to contact the plants if you have any questions on coring or sizing
- All of the clay brick manufactured at Summit Brick Company meet current ASTM standards and have a Severe Weather Rating